

1



3,7V --- 300 mAh
1,11 Wh LiPo



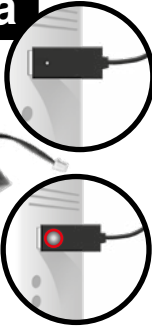
2x 1.5 V Mignon AAA batteries
2x Accus 1,5 V mignon AAA
2x Pilas de 1,5 V Mignon AAA



Red Bull® Marks and The Flying Bulls Logo are licensed by Red Bull GmbH/Austria

2

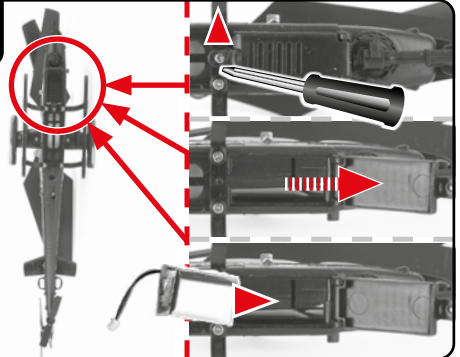
a



LED OFF = Charging
DEL OFF = En charge
LED OFF = Cargando

Green = Ready
Vert = Prêt
Verde = Listo

b

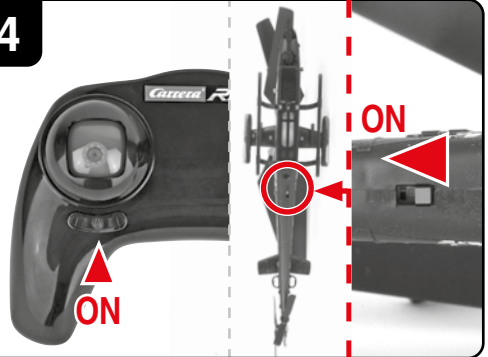


3

2x 1.5 V Mignon AAA batteries
2x Accus 1,5 V mignon AAA
2x Pilas de 1,5 V Mignon AAA



4



5

