

## CAUTION

- Different types of batteries or new and used batteries are not to be mixed. Exhausted batteries are to be removed from the toy.
- Batteries should be replaced by an adult. Batteries are to be inserted with the correct polarity. The supply terminals are not to be short-circuited.
- Non-rechargeable batteries are not to be recharged. Rechargeable batteries are to be removed from the toy before being charged.
- Rechargeable batteries are only to be charged under adult supervision. Leaked or damaged batteries are not to be charged.
- Only batteries of the same or equivalent type are recommended to be used.
- Never put the batteries near fire or any source of heat, water or direct sunlight.
- Skin or clothing is to be washed immediately if you make contact with leaked liquid from the battery.
- For better preservation of rechargeable batteries, please regularly recharge them. Only a charger of the same or equivalent type is recommended to be used.
- Dispose of batteries responsibly, do not dispose of in fire.
- Alkaline batteries or rechargeable batteries are suitable for this product.

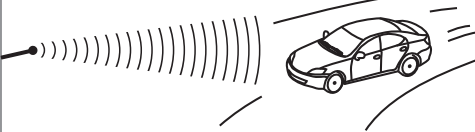
• When your vehicle starts to lose power, it may lose its functions or performance. This indicates that it's time to refresh your batteries or recharge them.



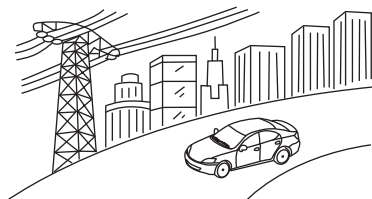
• Don't drive your vehicle in sand, through water or snow.



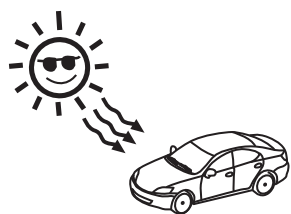
• Point the antenna of the remote control upward to the car, and control the car within the effective range, so as not to affect the play.



• Do not operate your car on the streets where people gather or under high voltage wires. Stay safe!



• Don't put your vehicle near heat or in direct sunlight. Always turn switches OFF after operating.



Car pictures demonstrated above may vary from the toys.

RASTAR



## INSTRUCTIONS

This manual is applicable to the following types of product:  
92100,10110,10190.

Frequency bands: 2400MHz to 2483.5MHz  
Maximum Transmitting Power (EIRP) : Not more than 10mW.

**WARNING:**  
CHOKING HAZARD-Small parts.  
Not for children under 3 years.

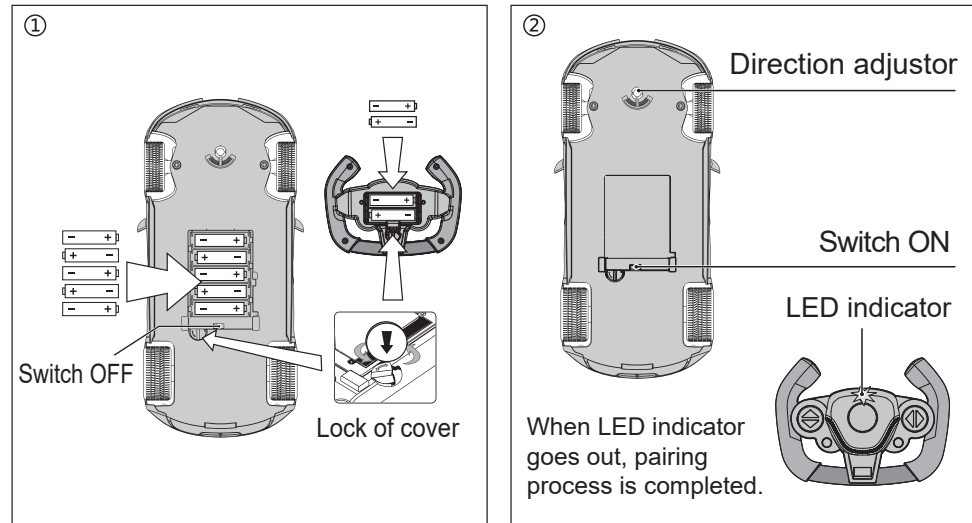
The instruction has to be kept since it contains important information.

### RASTAR GROUP

Add: Xinghui Industrial Park, Xiadao Road, Shanghai,  
Chenghai, Shantou, Guangdong, China.  
[Http://www.rastar.com](http://www.rastar.com)

01.04.00014.11500

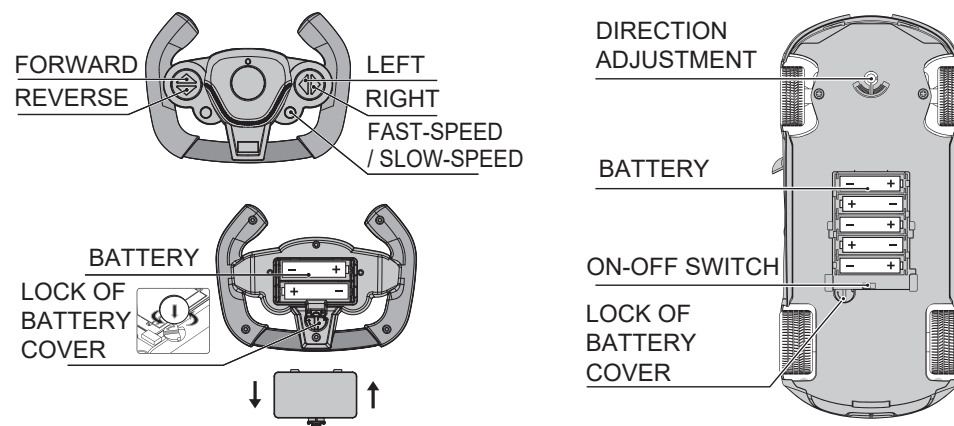
## OPERATION GUIDE



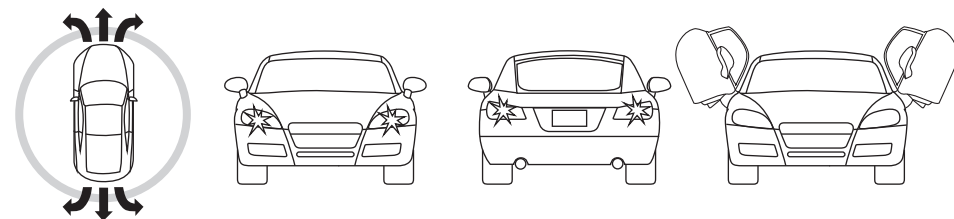
- The fixing piece for chassis can be used to twist the lock of the battery cover. (picture 1)
- Please open the lid and put 5 pieces of "AA" batteries into the car according to its polarity, then close the lid and twist the chassis piece to lock the battery cover (picture 1).
- Please open the lid and put the 2 pieces of 1.5V "AA" batteries into the controller according to its polarity, then close the lid and rotate the knob to lock the battery cover.(picture 1)
- Every time before playing, the transmitter needs to pair with the model car as follows:
  - ◆ The LED indicator on the transmitter will blink when ready for pairing. Switch on the model car, the LED on the transmitter will turn off. This means the pairing process is complete. Then the model car can be fully controlled by the transmitter.(picture 2)
  - ◆ 2.4GHz transmitters are able to control several model cars at same time without interference, provided that the pairing process is orderly done one by one following above steps. That is, first transmitter finishes pairing with first model car and keep their power on, then second transmitter can begin to pair with second model car...
- Adjust the direction adjustment switch to control the car running in a straight line.(picture 2)
- Please replace battery when LED indicator becomes dark which means low battery.
- The car will slow down when battery is low. Please replace then.
- Switch OFF when not playing in order to protect the battery. For long time storage, please take the batteries out of the model car and transmitter to prevent damage in case of battery leakage.

## FEATURES & FUNCTION

This product uses 2.4GHz communication technology, which is compatible for multi-device and multi-user, with fast response speed, high response precision, and strong anti-interference capability.



Function: forward, reverse, turn left, turn right, headlight, rear light, fast/slow speed change, topline overtaking, slow-speed driving, open/close doors manually default slow-speed when boot, press to shift between fast-speed and slow-speed, press the Forward or Reverse button, indicator on remote control will flash when in fast-speed, and keep on when in slow-speed.



## MAINTENANCE AND REPAIR

- Remove the batteries when the unit is not in use for long periods of time.
- Clean the vehicle with a soft cloth.
- Avoid being heated or being exposed to strong sunlight.
- Keep dry.
- Remove the space regularly examine the toy for any damage to its wires, plug, enclosure and other parts and they must not be used until the damage has been repaired.